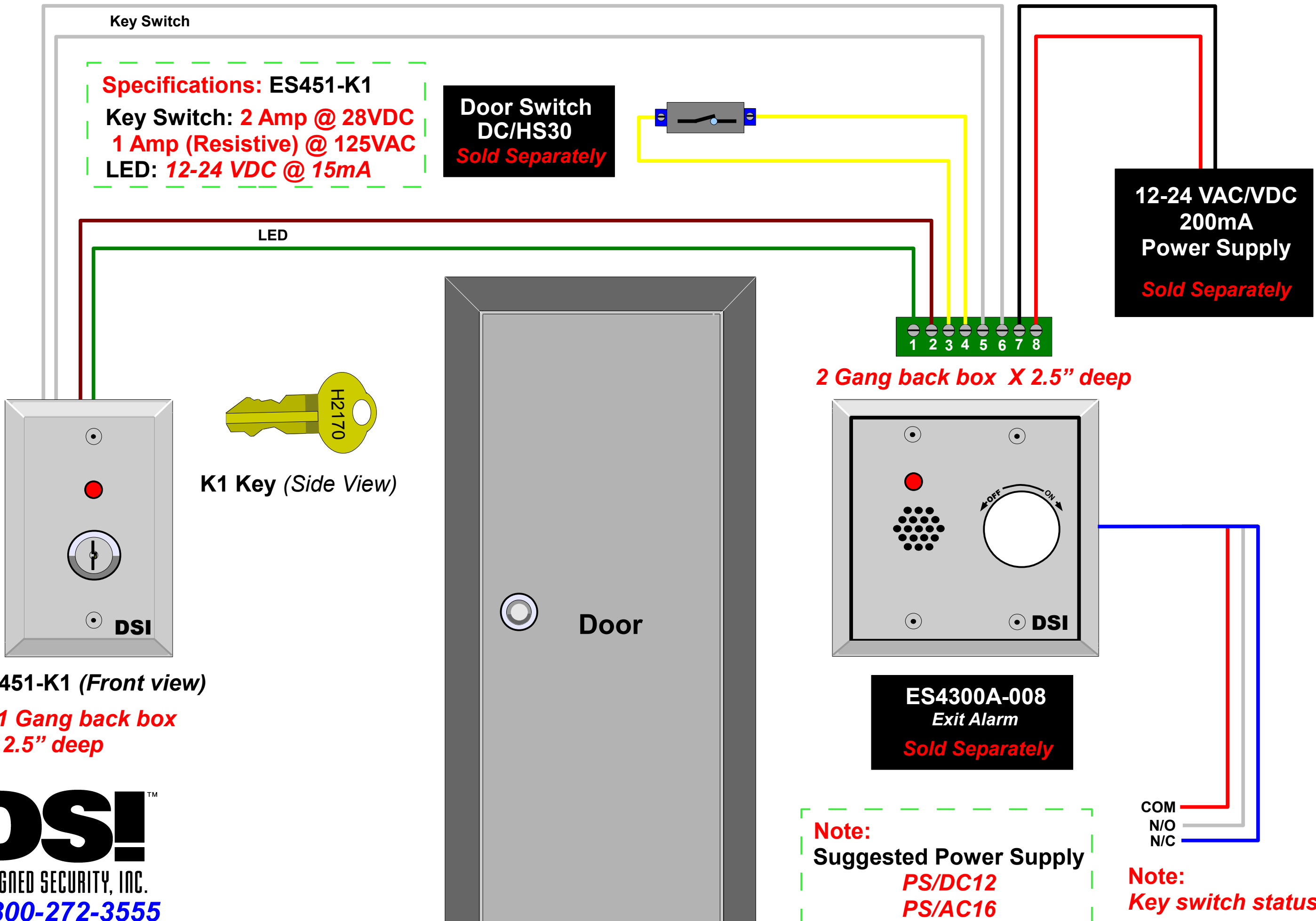


# ES451-K1

*(Stainless Steel Face Plate)*

**Note:** Wire Gauge:  
 22 AWG = Signal wires  
 22 AWG = Power wires  
 (Power runs over 50 feet use 18 AWG)



**Specifications: ES451-K1**  
 Key Switch: 2 Amp @ 28VDC  
 1 Amp (Resistive) @ 125VAC  
 LED: 12-24 VDC @ 15mA

**Door Switch  
 DC/HS30  
 Sold Separately**

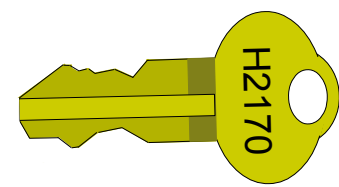
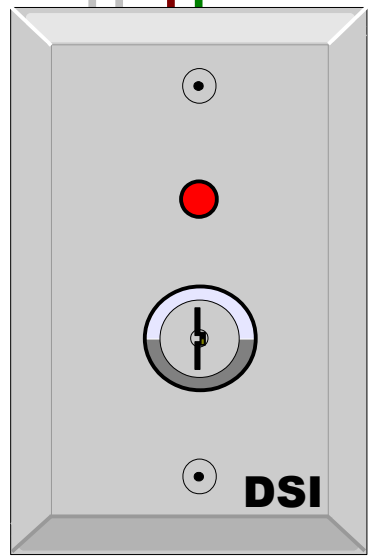
**12-24 VAC/VDC  
 200mA  
 Power Supply  
 Sold Separately**

**2 Gang back box X 2.5" deep**

**ES4300A-008  
 Exit Alarm  
 Sold Separately**

**Note:**  
 Suggested Power Supply  
 PS/DC12  
 PS/AC16

**Note:**  
 Key switch status



**K1 Key (Side View)**



**ES451-K1 (Front view)**  
 1 Gang back box  
 2.5" deep