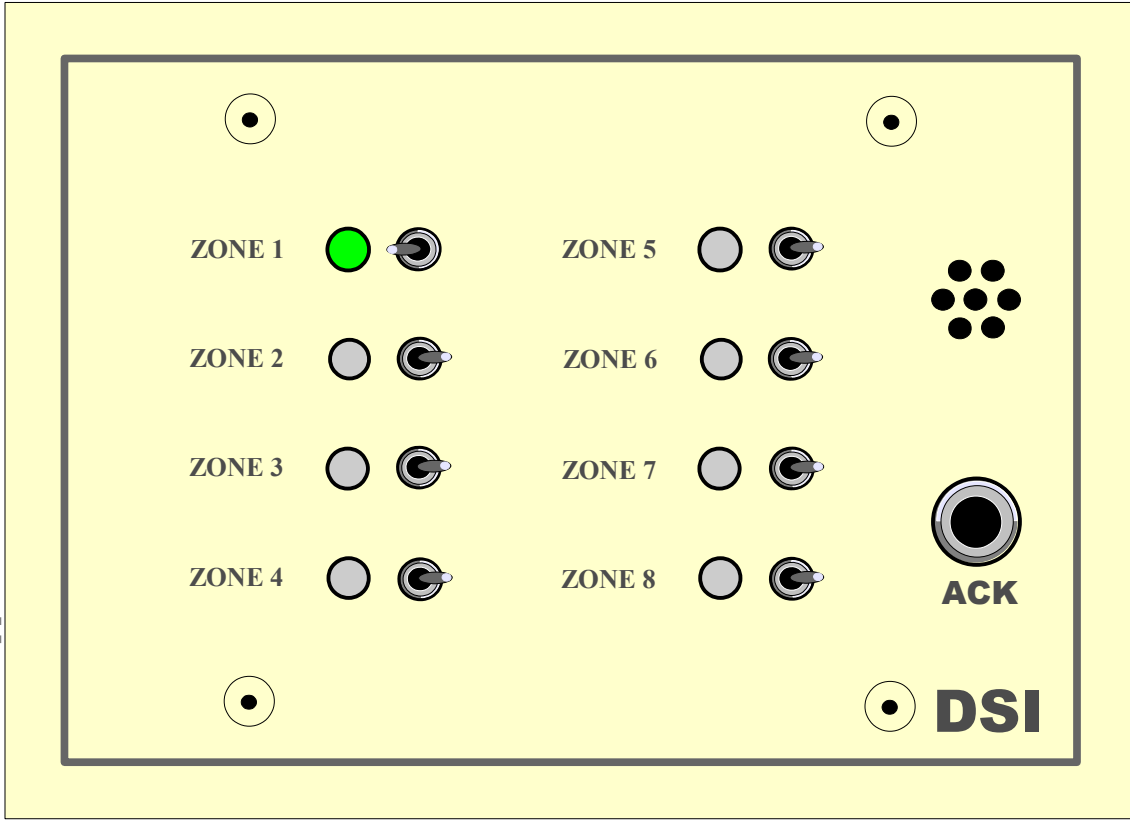


# ES623

**ZONE ANNUNCIATOR  
WITH SHUNT AND  
N/O RELAYS**

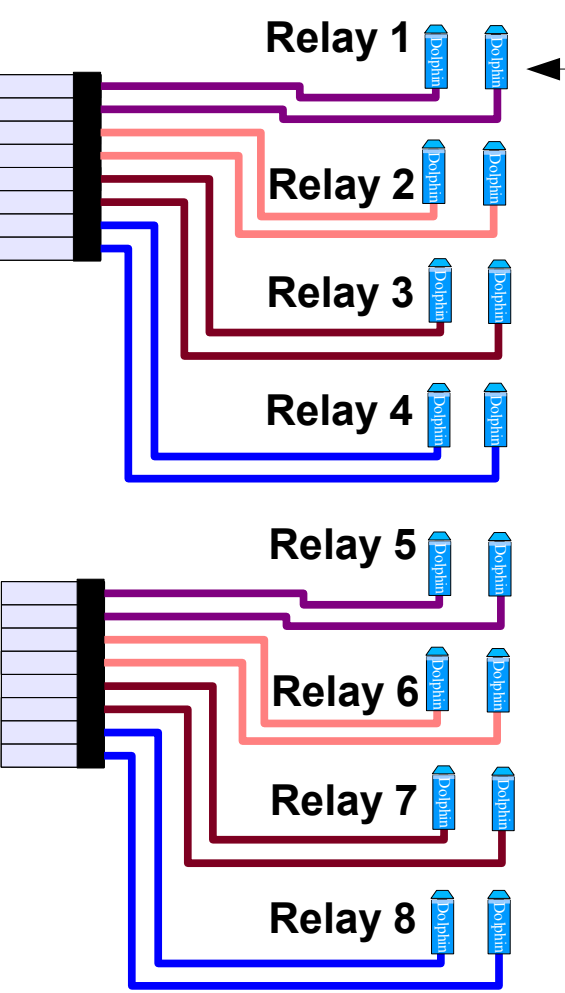
**12-VDC  
300mA  
Power Supply**  
*Sold Separately*



**Global Alarm Relay**  
*N/O dry contact.  
500mA @30VDC*

**ES623 (Front View)**  
*Alarms when door  
switch opens.*

**Note:**  
For four zones use an  
**ES613**  
For twelve zones use an  
**ES633**



**“B” Connectors**  
*Provided in the ship kit*

**Shunt Switch**  
*Toggle to the left to  
shunt the zone.  
(Example zone one)*

**Zone Relays**  
*N/O dry contact.  
500ma @30VDC*

*Zone relay will  
close when in alarm.*

*Zone relay follows the  
Alarm*

**Note:**  
**Wire Gauge: Signal**  
*22 AWG = Signal wires up to 85 feet  
18 AWG = Signal wires up to 180 feet  
16 AWG = Signal wires up to 300 feet*  
**Wire Gauge: Power**  
*22 AWG = Power wires up to 85 feet  
18 AWG = Power wires up to 180 feet*

**Specifications:**  
**Power:** *12VDC at (300ma)*  
**Input:** *N/C door contact*  
**Output:** *N/O global alarm relay 500mA @ 30 VDC*  
**Zone Relay:** *N/O dry contact 500mA @ 30VDC*  
**Horn Volume:** *70 db*  
**Back box:** *3 Gang 2.5" deep*

**DSI™**  
**DESIGNED SECURITY, INC.**  
*1-800-272-3555*

