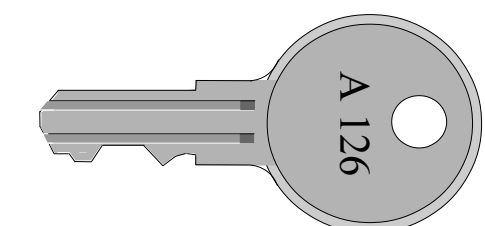
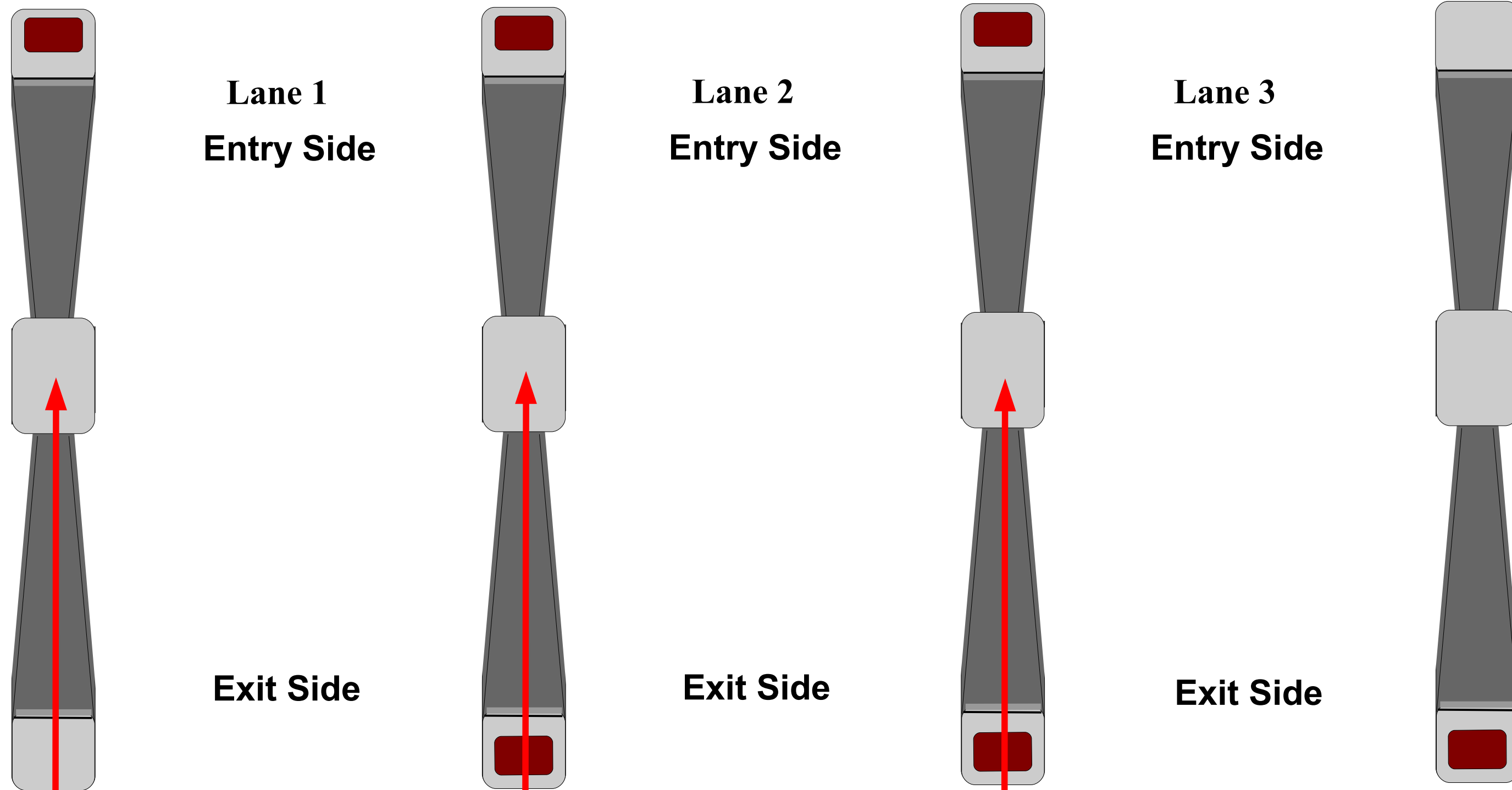
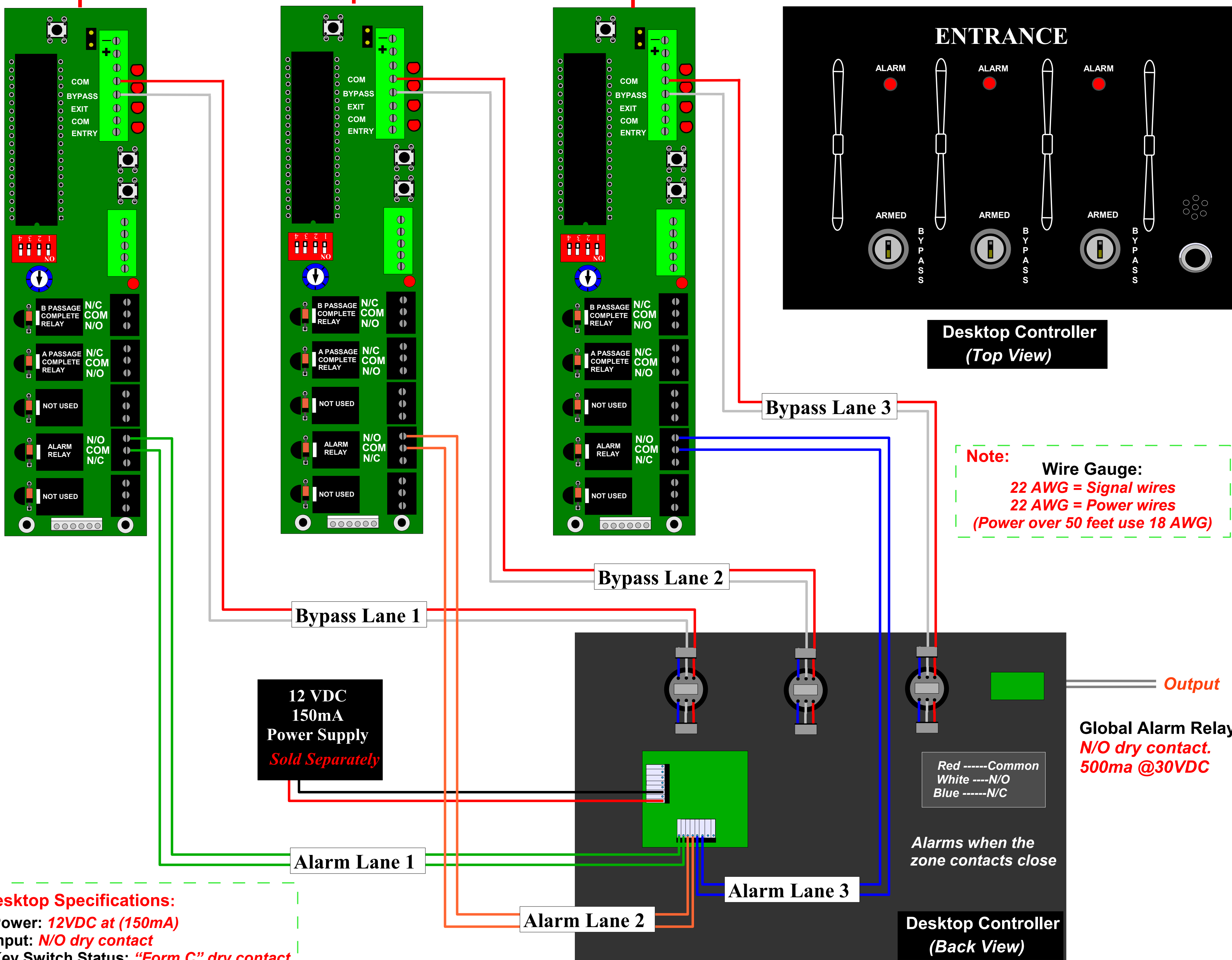


# ES8100-N2 Desktop Controller



K6 Key (Side View)



**Note:** Wire Gauge:  
22 AWG = Signal wires  
22 AWG = Power wires  
(Power over 50 feet use 18 AWG)

**Desktop Specifications:**  
Power: 12VDC at (150mA)  
Input: N/O dry contact  
Key Switch Status: "Form C" dry contact  
Global Alarm Relay: "N/O" dry contact  
Horn Volume: 70 db

12 VDC  
150mA  
Power Supply  
*Sold Separately*

Global Alarm Relay  
N/O dry contact.  
500ma @30VDC

Alarms when the zone contacts close

Desktop Controller (Back View)