

Waist High Turnstile

DSPT Series Interior & Exterior Application

The DSPT Series is ideal in demanding situations where you want a more open, stylish look. It is made for years of reliable service in high traffic/high volume applications. The cabinets are constructed of heavy 14-gauge, 300 series stainless steel and feature our versatile 6500 Series Control Head. This unit features our longest turnstile arm and is suited for indoor or outdoor installations.



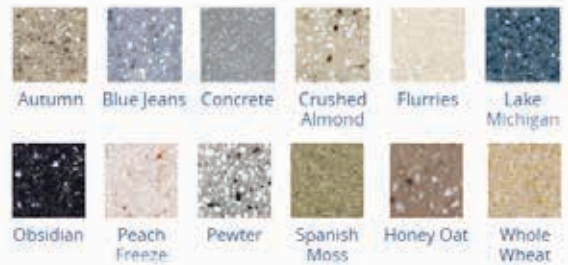
DSPT SERIES



FEATURES AND BENEFITS

- Bidirectional key overrides
- Daylight visible indicator lights
- 8 digit key resetable LCD counter with seven year lithium battery
- Rubber arm covers
- Coin/token acceptor
- Bill acceptor
- Ticket drop box
- Additional options available on request
- Round end design with solid surface top
- Square end design with stainless steel top

Standard solid surface top choices (as of 2/15/2019)



Additional top selections, such as Corian® or wood can be quoted upon request. Top selections are subject to availability.

DSI[®]
DESIGNED SECURITY, INC.
Building Security

Designed Security, Inc.
302 Detex Drive
New Braunfels, TX 78130
800-272-3555
512-321-4426

www.dsigo.com
dsi@dsigo.com

Applications:

This series is made for years of reliable service in high traffic / high volume environments where a more open, stylish look is desired.

Product Features:

Cabinets are finished in:

- Our signature 304 stainless steel/ No. 4 satin finish

Design & Construction:

- Designed for secure and reliable operation with aesthetics in mind
- Cabinet inner and outer shells and cover are constructed of (14 gauge) 304 stainless steel / No. 4 satin finish
- Arms assembly constructed with 1 5/16" (33mm) diameter, (12 gauge) stainless steel
- Hub 4 1/2" (114mm) o.d. also made from stainless
- Minimal exposed hardware

Measures:

Square ends

- Height: 38.062" (966.8mm)
- Width: 36.437" (925.5mm)
- Depth: 8.437" (214.3mm)

Round ends

- Height: 38.925" (988.7mm)
- Width: 45.75" (1162mm)
- Depth: 8.875" (225.4mm)

Operation:

Control Head, featuring:

- Auto-indexing (self-centering) with adjustable hydraulic shock suppression
- Hardened tool steel locking bars, cam and roller assemblies
- Permanently lubricated bearings • Your choice of manual or electronic control on both directions
- Nearly universal integration to any number of access control systems
- Your choice on each electronic direction of locking or unlocking on power failure

Options:

- Bidirectional key overrides
- Daylight visible indicator lights
- 8 digit key resettable LCD counter with seven year lithium battery
- Coin/token acceptor
- Bill acceptor
- Ticket drop box
- Additional options available on request
- Round end design with Corian, wooden or other alternative outside of our standard selection
- Square end design with stainless steel top

Electrical Specifications:

Input voltage: 100-240 VAC

Input current: 1.3 - .55 A

Frequency: 50/60 Hz

Storage Temperature: -40 to 158°F

Operating Temperature: -4 to 131°F (cold weather package available)

Operating voltage: 24VDC

Operating current: 1.2 A (typical)

Standards and Codes:

Austenitic stainless steel:

ASTM A240, A249, A276

Hot rolled steel:

AISI C-1020, AISI C-1018

Hot dipped galvanizing:

ASTM A-143, ASTM A-153-80

Stainless steel fasteners:

ASTM A-320

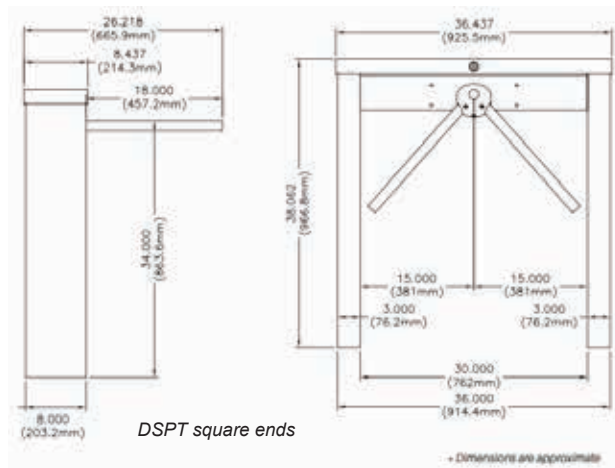
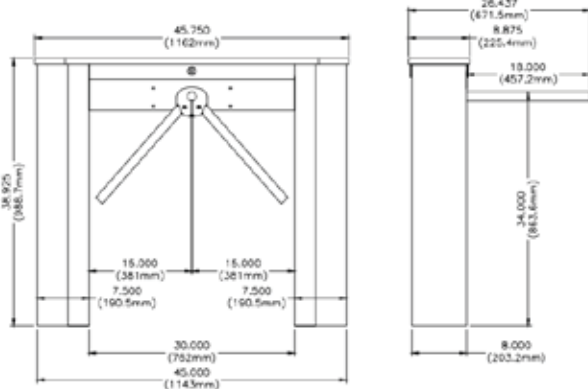
American Welding Society (AWS)

Standard D 1.1

Warranty:

Units are warranted against defects in materials and workmanship for a period of one year from date of invoice.

DSPT round ends



Designed Security, Inc.
 302 Detex Drive
 New Braunfels, TX 78130
 800-272-3555
 512-321-4426

www.dsigo.com
dsi@dsigo.com