

**ES4200-K1-T1**

- **Monitoring for Security Doors**
 - * Door prop/door held detection
 - * Door intrusion/door forced detection
 - * Latching Exit Alarm
 - * Door supervision/optional tamper detection
- **Enhances Access Control**
 - * Audible warning reduces false door held alarms
 - * Reduces workload of security personnel
 - * Flexible interfacing with electric door locks
 - * Encourages employees to maintain access control procedures
- **Versatile System Integration**
 - * Card access systems
 - * Request to exit systems (REX)
 - * Stand Alone
- **Optional Features**
 - * Tamper Switch

Operation

The **ES4200 series Door Management Alarm (DMA)** offers door prop/door held, intrusion/door forced and exit alarm detection capabilities to provide complete monitoring of access control points. The DMA may also be used as a stand-alone device. The unit is typically mounted near the monitored door. This product carries a CE marking. With optional tamper switch.

Door Prop/Door Held Detection - Valid Access

The door prop function utilizes two (2) distinct monitoring periods, the Silent Time period and the Alarm Delay Time period. The Silent Time period (field adjustable from 0 seconds to 90 minutes) begins when the monitored door is opened. If the door is closed within this time period, the alarm remains silent. However, if the door is held longer than the Silent Time period, the Alarm Delay Time period begins and the local sounder emits an intermittent audible alarm and a flashing green LED. This warning will continue for the set period of Alarm Delay Time (field adjustable from 0 seconds to 5 minutes and INFINITE). This alarm alerts users of a potential door prop/door held alarm, and encourages them to secure the door. Closing the door silences and resets the audible alarm. If held open beyond the Alarm Delay Time period, the unit will then sound a steady audible alarm, the Door Prop Alarm Status relay will change and the LED will flash Red.

Intrusion/Door Forced Detection - Invalid Access

The DMA recognizes an intrusion violation when the secured door is forced open. The unit responds by activating the Intrusion/Tamper Alarm relay (optional), sounding a continuous audible alarm and flashing the LED red. The unit remains in alarm until reset by:

- Integral key switch.
- Remotely through a dry contact.
- Automatically through an onboard timer

ES411

ES4200

ES4300A

ES440

ES450

ES4600

ES500

ES411
ES4200
ES4300A
ES440
ES450
ES4600
ES500

Electrical Specifications

- Power:** 12-24 VAC/VDC @ 250 mA
- Local Control:** Keyswitch for unit reset/bypass
- Control Input:** N/O or N/C alarm shunt
N/C door contact
N/O remote reset/bypass
Voltage sense shunt
- Control Output:** N/O and N/C bypass status
N/O and N/C door contact status
N/O and N/C door prop alarm status
N/O and N/C intrusion/tamper alarm status
Remote LED (used with ES450 output)
- Adjustment:** Auto reset 0 seconds - 5 minutes or manual reset
Alarm delay 0 seconds - 5 minutes or infinite
Silent time 0 seconds - 90 minutes
- Audible Alarm:** Field selectable
High - 103 dB @ 3 ft
Low - 96 dB @ 3 ft

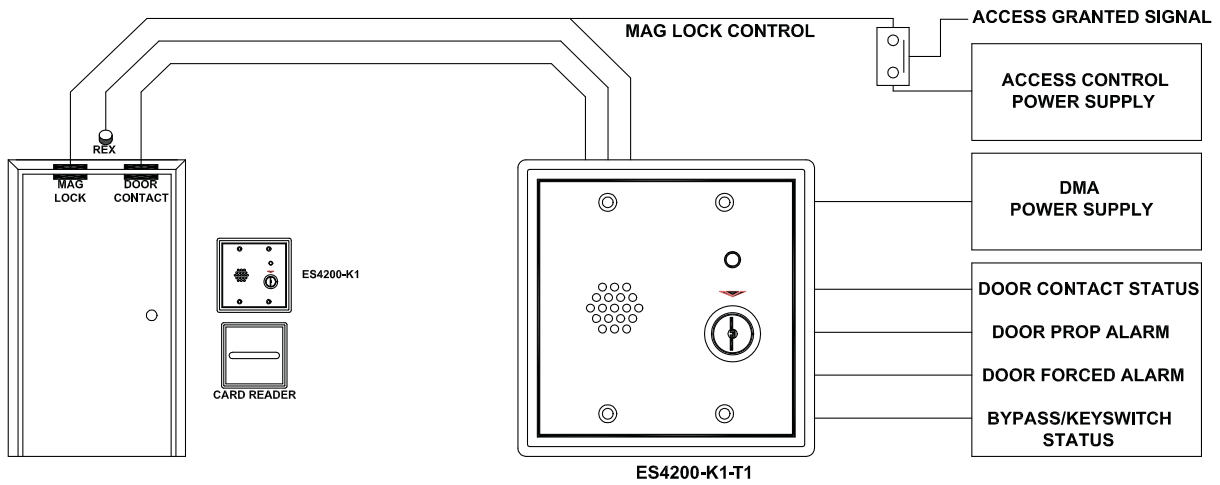
Mechanical Specifications

- Dimensions:** 2 gang plate with standard key 4.6”w x 4.6”h x 2.32”d
3 gang plate with rim hardware 6.4”w x 4.6”h x 2.32”d
- Key Switch:** Double bitted
Rim hardware with out without cylinder
- Finish:** Painted - DSI beige

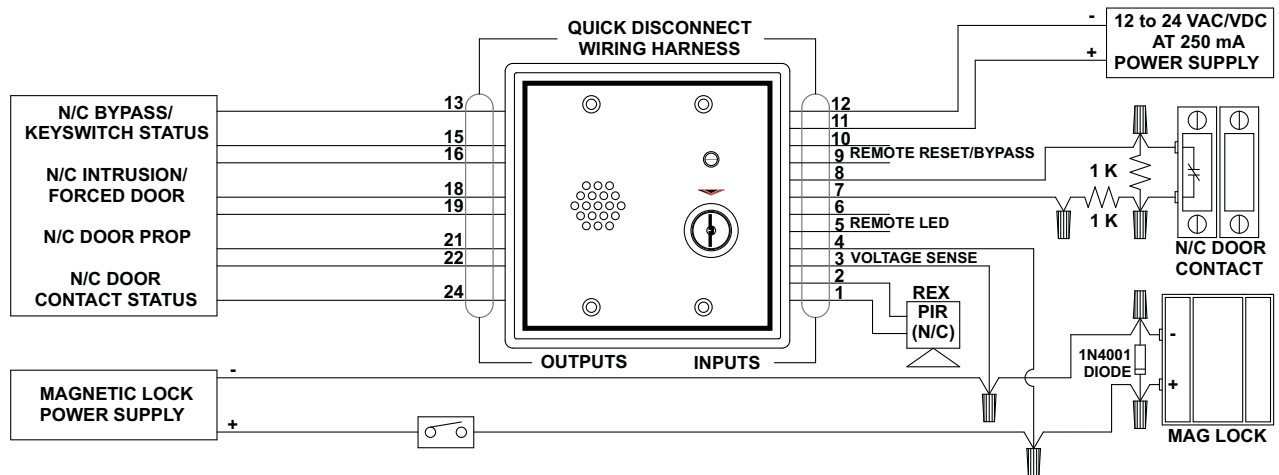
Options (field selectable)

- Shunt recycle
- Door supervision
- Intrusion detect
- Loud horn volume
- Shunt delay timer
- Extended silent time
- Voltage sense mode

Door Management Alarm used with Card Reader System



The **ES4200-K1-T1 Door Management Alarm (DMA)** includes separate, Form C, “Door Prop” and “Door Forced” alarm outputs. The “Bypass/Keyswitch” and “Door Contact” status outputs provide remote indication to the monitoring station. This application is useful with stand-alone card reader systems using free-exit hardware, or may be integrated with access control systems. A card reader or exit sensor (REX) input shunts the DMA to allow free egress while monitoring for propped or forced doors. Separate alarm output contacts for “Door Propped” and “Door Forced” may be given different priority within the monitoring system.



ES411
ES4200
 ES4300A
 ES440
 ES450
 ES4600
 ES500