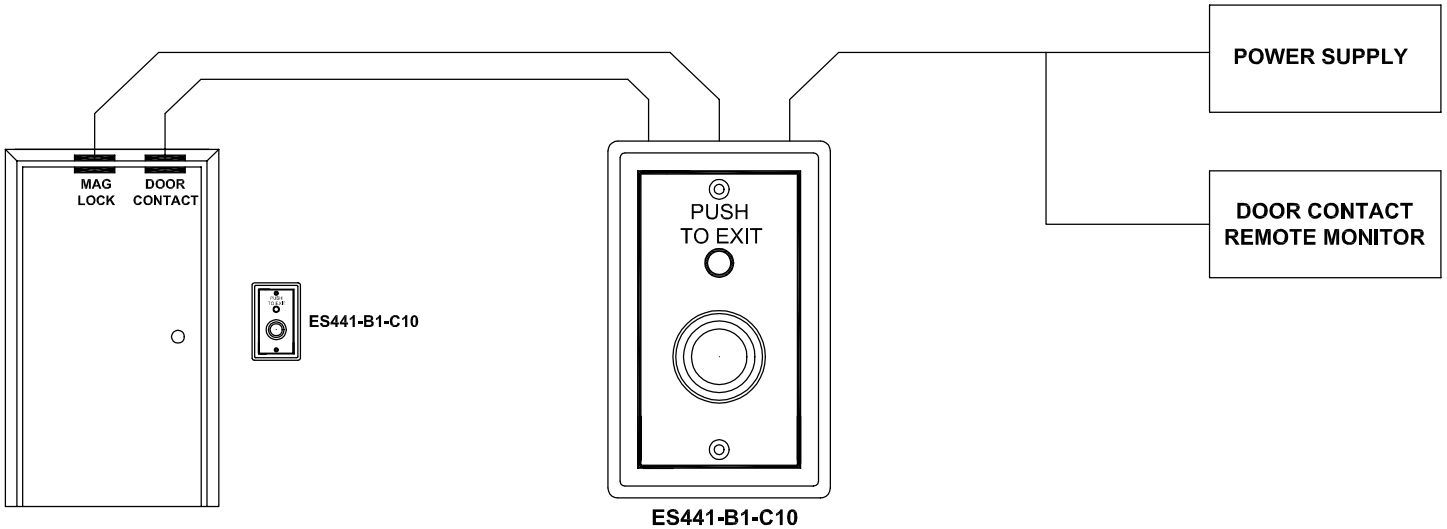


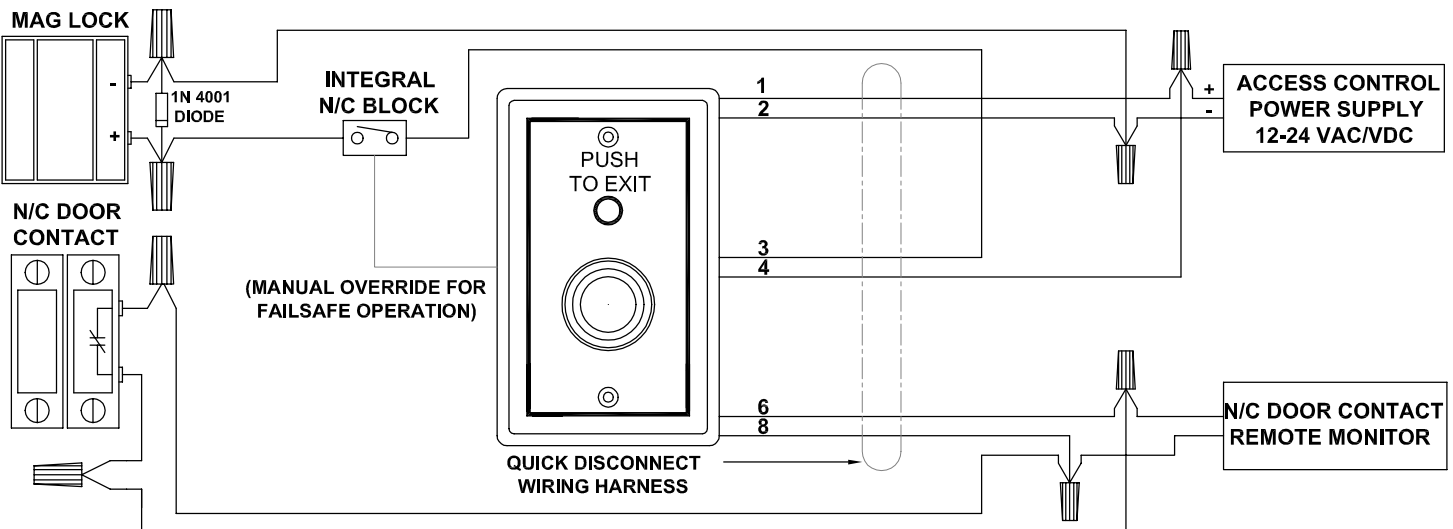
## Designed Security, Inc. ES441-B1-C10 Application Note

**Pushbutton Unit** used for Failsafe Control of Secured Doors



**ES441-B1-C10 Pushbutton Control** is used to release and shunt secured doors. The time delay relay (TDR), which is activated by the pushbutton, may be field adjusted for 1-60 seconds. An integral N/C momentary contact may be used to provide fail-safe manual override of the time delay relay. An additional N/O momentary contact is also provided with this model.

### WIRING DIAGRAM



**Specifications:**

**Model:** ES441-B1-C10  
**Input:** N/C Door contact-in parallel with N/O TDR output  
**Mounting:** 1 gang stainless steel trim plate  
 2.0" electrical box  
**Button:** Shrouded

**Power:** 12-24 VAC/VDC @ 100 mA  
**Output:** Form C relays-2 A @30 VDC  
 N/O, N/C momentary contacts-  
 2.5 A @ 300 VDC  
 10 A @ 600 VAC