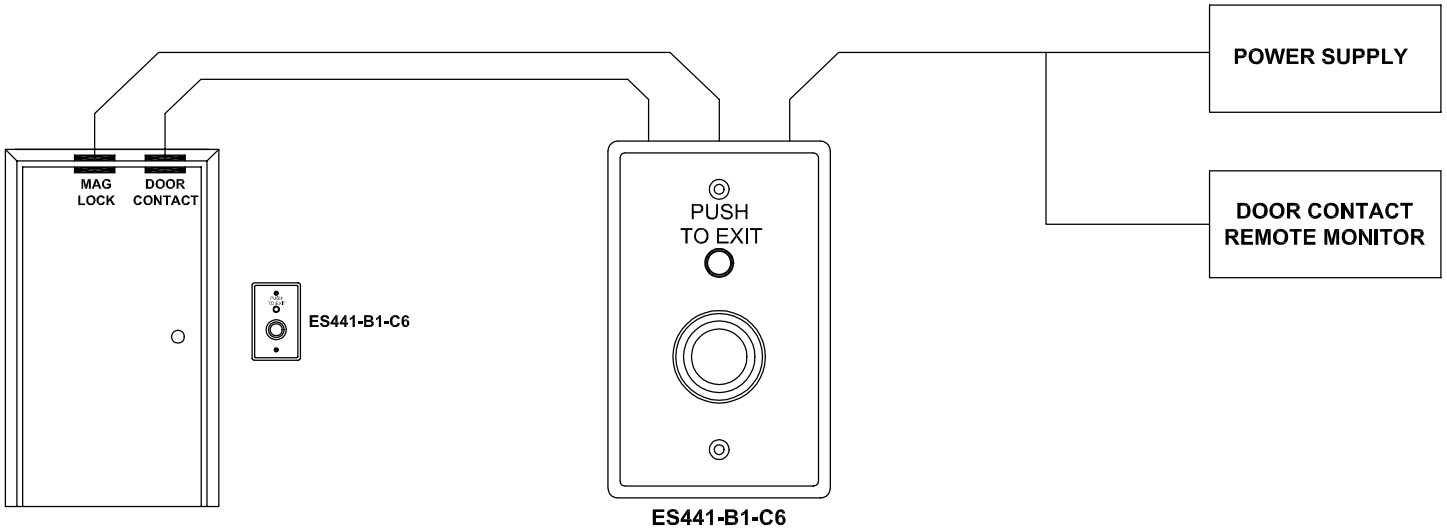


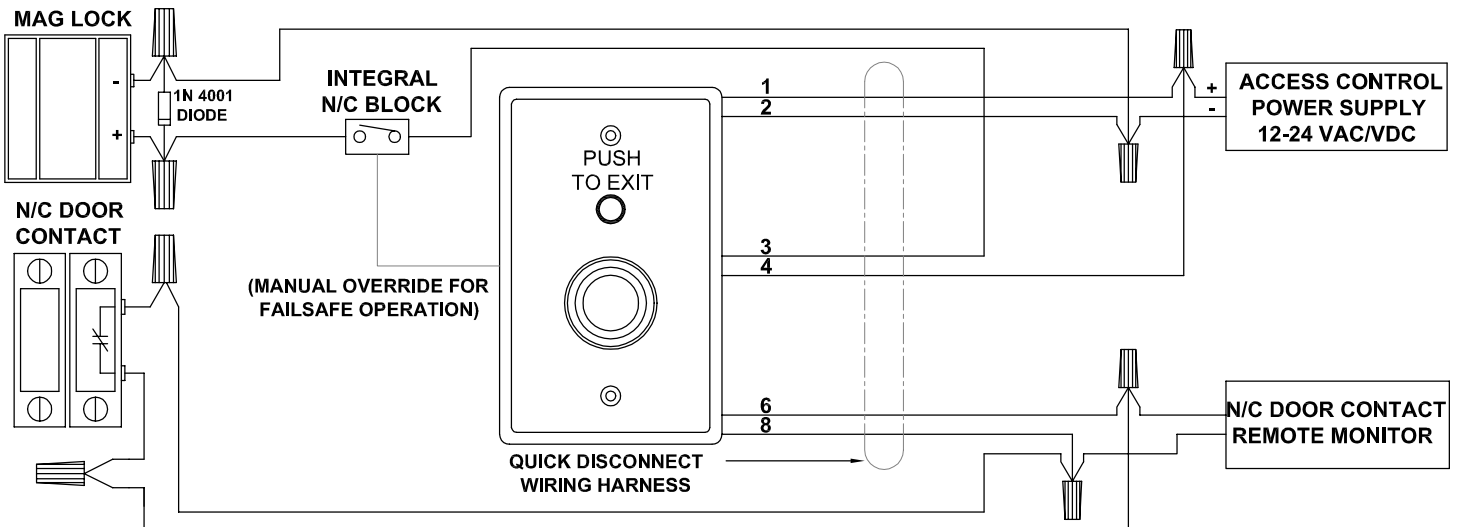
Designed Security, Inc. ES441-B1-C6 Application Note

Pushbutton Unit used for Failsafe Control of Secured Doors



ES441-B1-C6 Pushbutton Control is used to release and shunt secured doors. The time delay relay (TDR), which is activated by the pushbutton, may be field adjusted for 1-60 seconds. An integral N/C momentary contact may be used to provide fail-safe manual override of the time delay relay.

WIRING DIAGRAM



Specifications:

Model: ES441-B1-C6
Input: N/C Door contact-in parallel with N/C TDR output
Mounting: 1 gang stainless steel trim plate
 2.0" electrical box
Button: Shrouded

Power: 12-24 VAC/VDC @ 100 mA
Output: Form C relays-2 A @ 30 VDC
 N/C momentary contact-
 2.5 A @ 300 VDC
 10 A @ 600 VAC