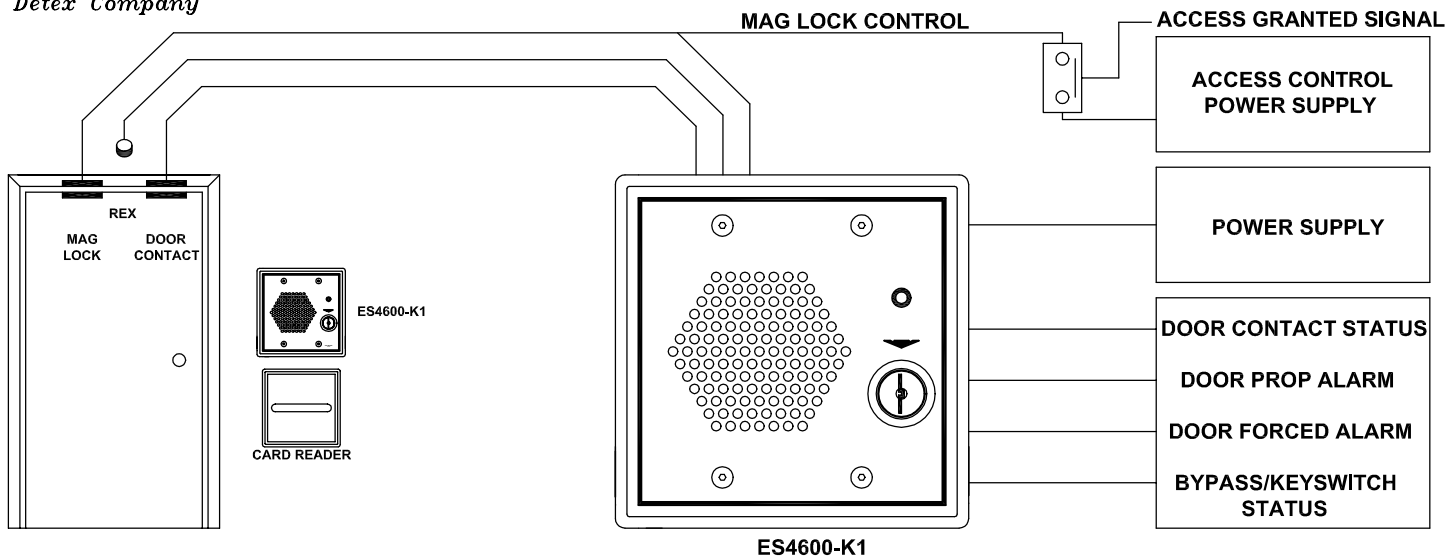


Designed Security, Inc.

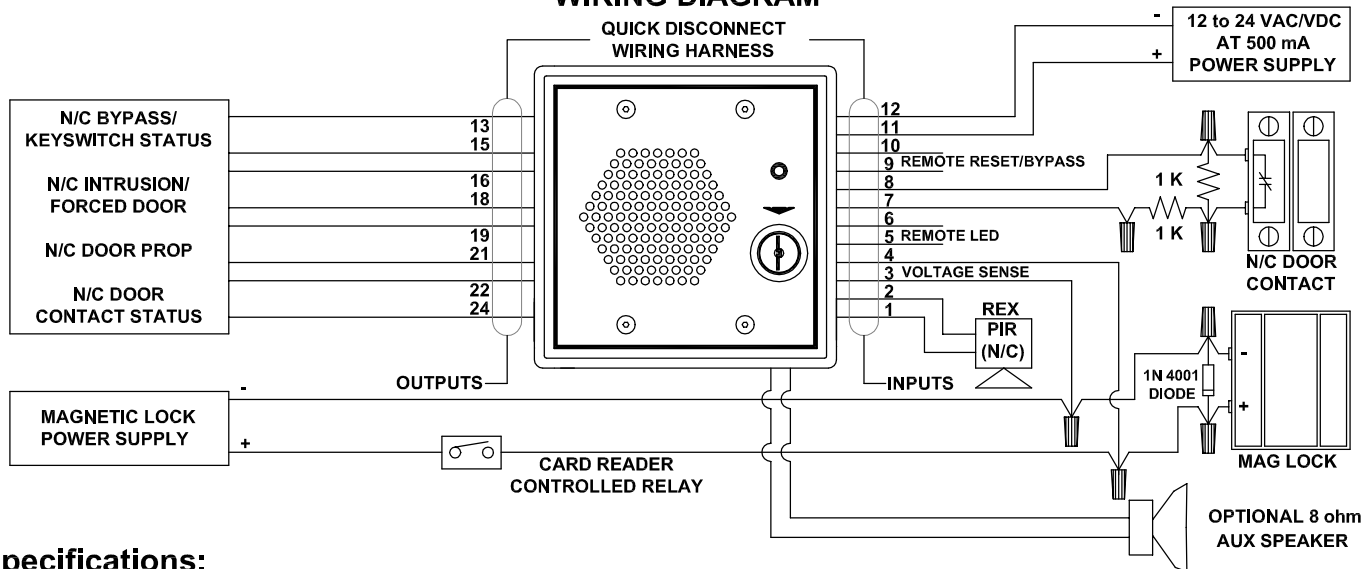
ES4600-K1 Application Note

Voice Prompt Door Management Alarm



The ES4600 Voice Prompt Door Management Alarm (DMA) provides a "voice message" warning to alert personnel of possible "Door Held" or "Forced Door" security violations. Three adjustable time delay periods allow the alarm to be tailored for any access control application. The first period (known as silent time); adjustable from 0 sec. to 90 min., sets the time for normal access. If the monitored door is used and closed within this time, no warning is issued. However, if the door is held open beyond this period, a pre-warning message; adjustable from 0 sec. to 5 min., such as "please close the door" is repeated according to the time setting mentioned above. Closing the door during the pre-warning message will silence that message and reset the unit. Holding the door beyond the pre-warning time will start an alarm message such as "security violation - please close the door" along with activating a "Door Held" Form C relay output for remote monitoring of the activity. The third adjustment is "auto-reset" of the alarm after the door closes; adjustable from 0 sec. to 5 min. or manual. This unit has all of the same features as the ES4200 and can also detect and annunciate "forced door" conditions with an alarm message and a separate relay output for monitoring.

WIRING DIAGRAM



Specifications:

Model: ES4600-K1
Input: N/C Door contact
 Dry Contact Shunt
 Voltage Sense Shunt
 N/O Remote bypass/reset
 Volume control for speaker output
Output: 4 separate Form C relay contacts
 1 amp @ 30 VDC

Audio Output: 8 ohms
Power: 12 - 24 VAC/VDC 500 mA
Adjustments: Silent time 0 sec. - 90 min.
 Pre-warning 0 sec. - 5 min.
 Auto-reset 0 sec. - 5 min. or Manual
 (latched needing key or remote reset)