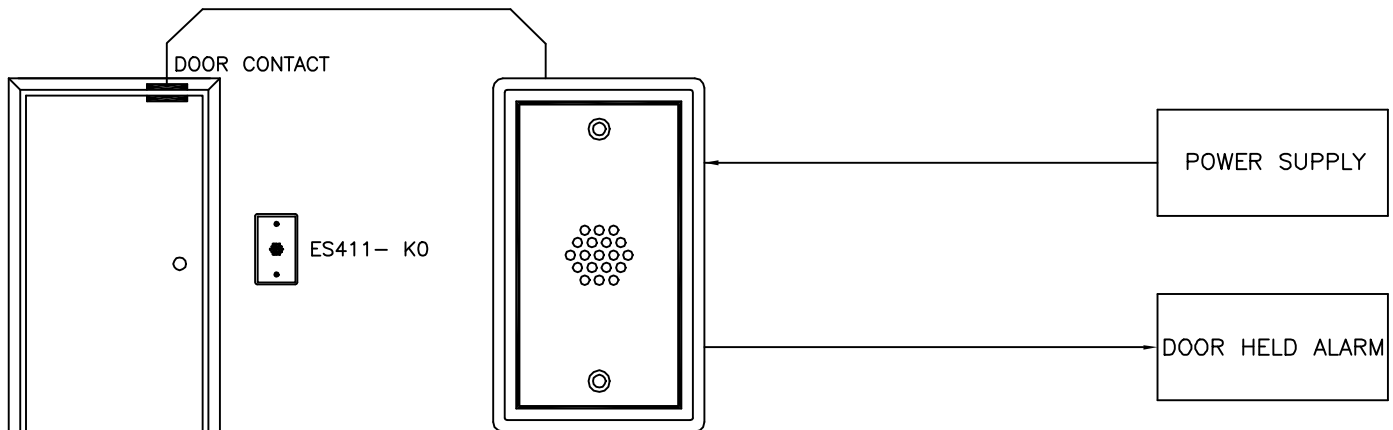


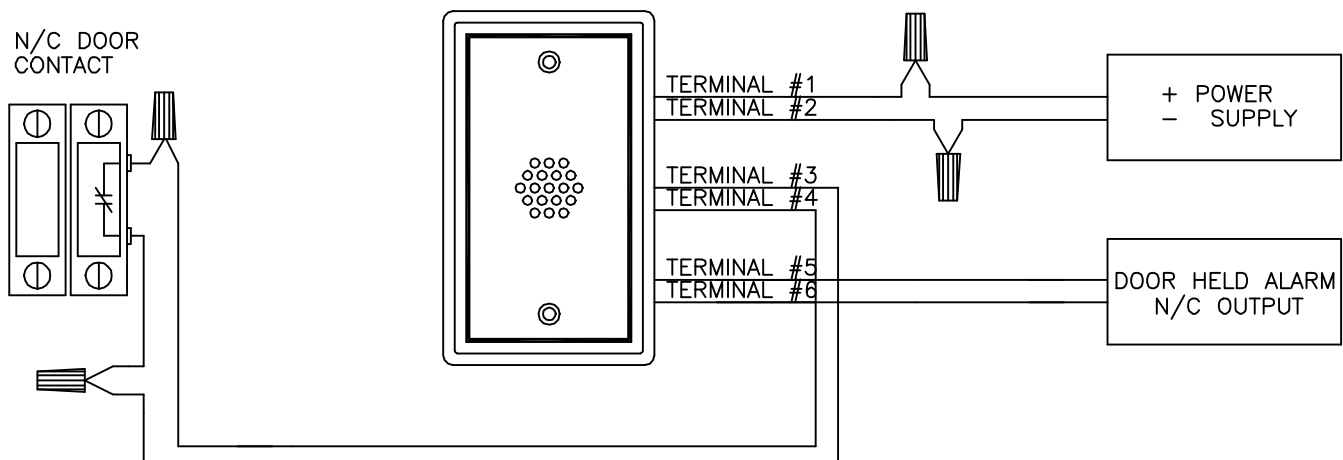
Designed Security, Inc, ES411-K0 Application Note

Door Prop Alarm encourages users to keep secured doors closed



The ES411-K0 Door Prop Alarm gives an audible warning tone whenever employees/tenants leave monitored doors open longer than necessary for normal door use (adj. 0-60 sec). This encourages them to close the door, which silences the audible alarm. The "Door Held" contact may be monitored to record the violation or used to alert security.

WIRING DIAGRAM



Specifications:

Model: ES411-K0
 Input: N/C Door contact
 Adjustment: Access period, 0-60 sec.
 Mounting: 1 gang x 2.5" deep electrical box

Power: 12-24 VAC/VDC @ 70mA
 Output: N/C Door held alarm
 500 mA @ 30 VDC