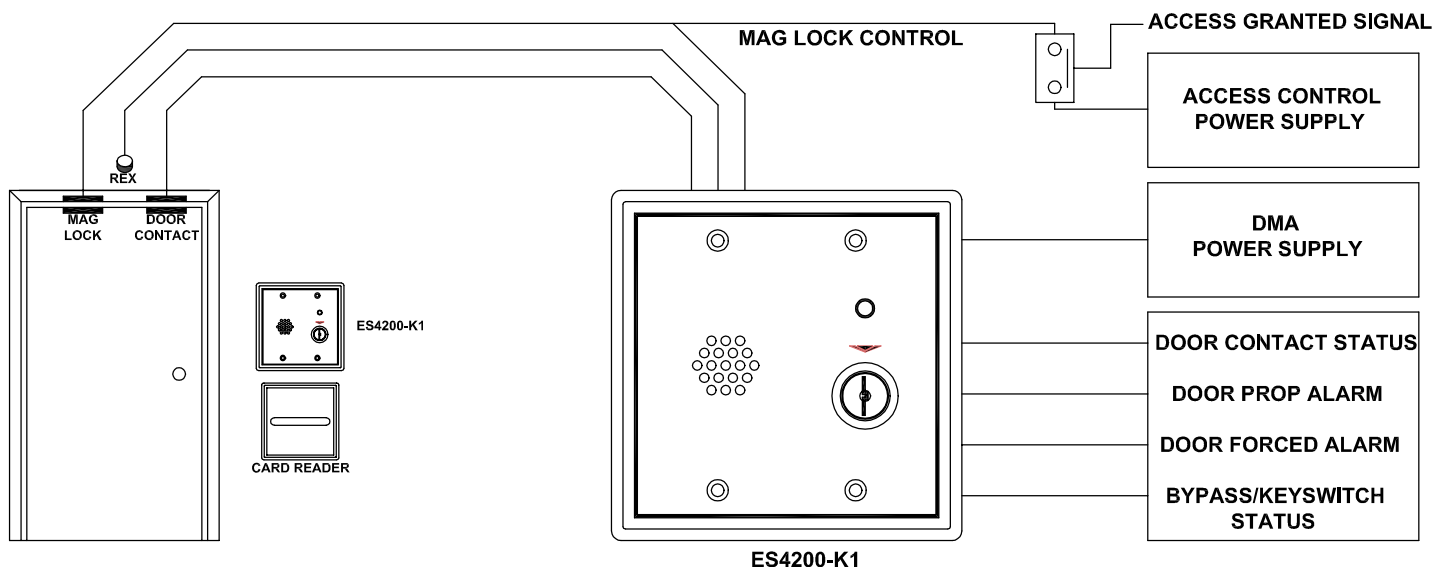


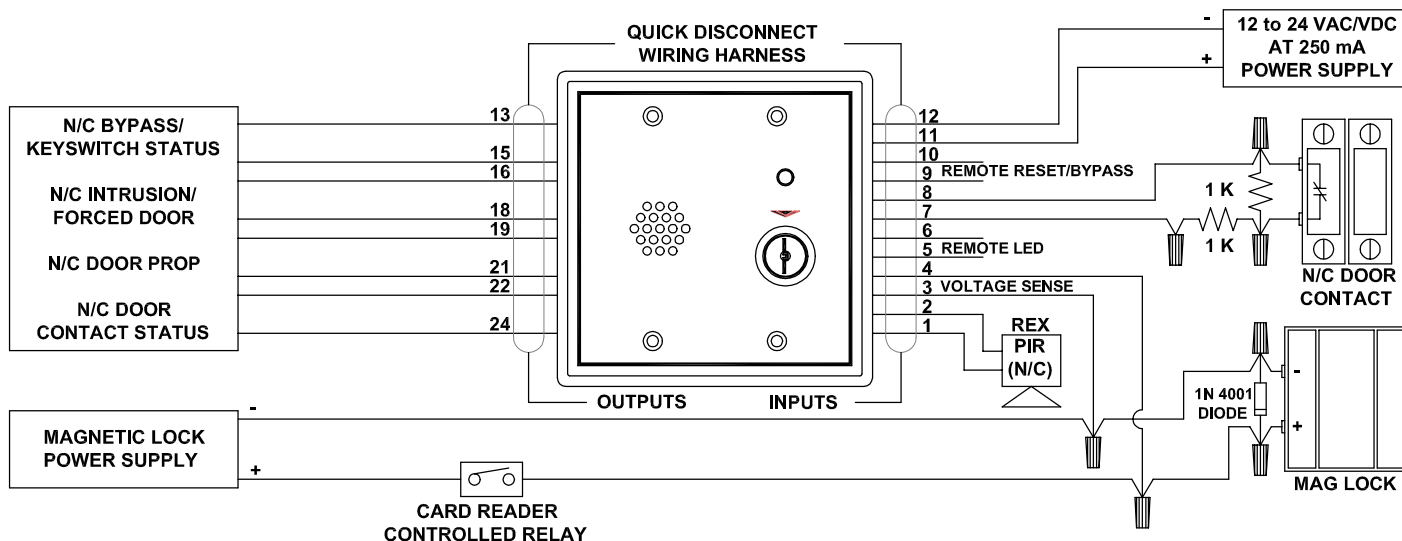
# Designed Security, Inc. ES4200-K1 Application Note

## Door Management Alarm used with Card Reader System



The ES4200-K1 Door Management Alarm (DMA) includes separate, Form C, "Door Prop" and "Door Forced" alarm outputs. The "Bypass/Keyswitch" and "Door Contact" status outputs provide remote indication to the monitoring station. This application is useful with stand alone card reader systems using free-exit hardware, or may be integrated with access control systems. A card reader or exit sensor (REX) input shunts the DMA to allow free egress while monitoring for propped or forced doors. Separate alarm output contacts for "Door Propped" and "Door Forced" may be given different priority within the system.

### WIRING DIAGRAM



### Specifications:

**Model:** ES4200-K1  
**Input:** N/C Door contact  
 Supervised with 2 - 1K resistors (optional)  
 Dry contact shunt  
 Voltage sense  
 Remote bypass  
**Mounting:** 2 gang trim plate  
 2.5" deep electrical box

**Power:** 12 to 24 VAC/VDC @ 250 mA  
**Output:** Door prop Form C  
 Door forced/intrusion Form C  
 Bypass/keyswhitch status Form C  
 Door contact status Form C  
 Remote LED  
**Adjustment:** Auto reset 0 sec. - 5 min. & manual  
 Alarm delay 0 sec. - 5 min. & infinite  
 Silent time 0 sec. - 90 min.