

ES411

ES4200

ES4300A

ES440

ES450

ES4600

ES500

**ES4600-K1-T0**

- **Enhances Access Control Systems**

- * Digital recorded message encourages users to keep monitored doors closed
- * Reduces false door/prop or door/held alarms - gives employees/tenants warning before alarm issued
- * Helps keep stairway and other sensitive passage ways secured
- * Controls perimeter doors in dormitories, data centers, etc

- **Optional Features**

- * Tamper Switch

Operation

The **ES4600 Series Voice Prompt Door Management Alarm (DMA)** (shown above) provides door management monitoring together with solid-state voice annunciation to provide a unique and effective solution for *propped or forced doors*. When a monitored door is held open longer than normal (adj. 0 sec. to 90 min. known as silent time) the ES4600 issues a repeated Alarm Delay message locally, such as *"Please close the door"*. If the door is closed within this time, the Alarm Delay warning message is terminated and the unit is reset. However, if held open beyond the Alarm Delay time a local alarm will sound (adj. 0 sec. to 5 min.) and a repeated alarm message is issued such as *"Security Violation. Please close the door"*. Together with this alarm message, a Form C relay contact is activated to provide alarm status for a door propped/door held or forced door indication to remote monitoring equipment. The unit can either Auto-Reset the alarms (adj. 0 sec. to 5 min.) or manually reset. This product incorporates all the features and functions of the ES4200 series using the voice annunciation instead of piezo sounder.

ES411

ES4200

ES4300A

ES440

ES450

ES4600

ES500

Electrical Specifications

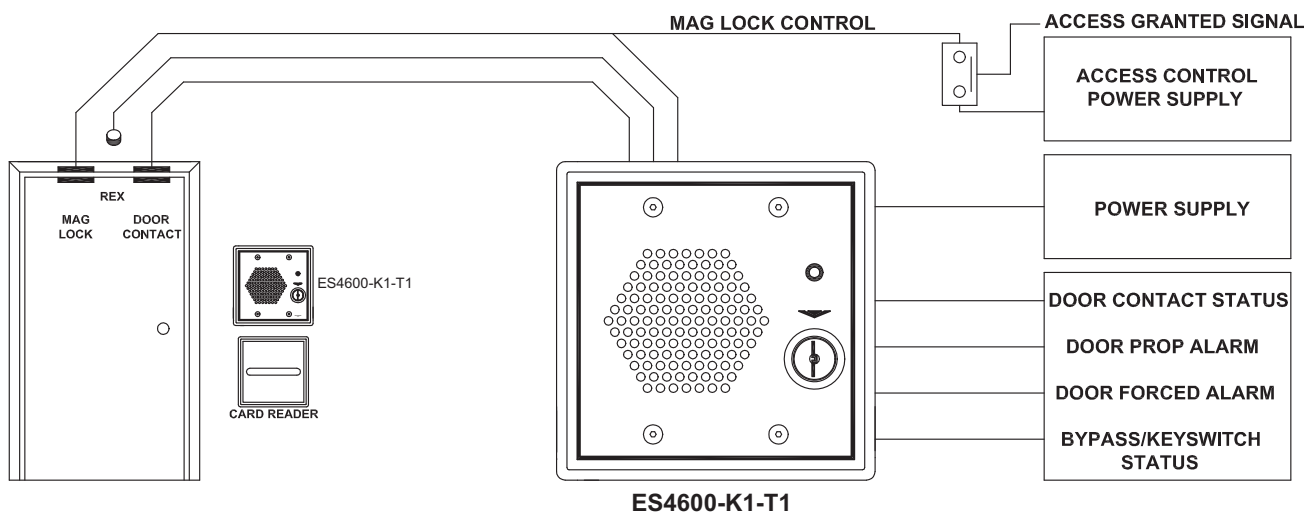
- Power:** 12-24 VDC/VAC @ 500mA
- Local Control:** Keyswitch for unit reset/bypass
- Control Inputs:** N/O or N/C alarm shunt
N/C door contact
N/O remote reset/bypass
Voltage sense shunt
- Control Outputs:** N/O and N/C door contact status
N/O and N/C door prop alarm status
N/O and N/C intrusion/tamper alarm status
N/O and N/C bypass/keyswitch status
Remote LED (used with ES450)
- Adjustment:** Auto reset 0 sec. - 5 min. or manual reset
Alarm delay 0 sec. - 5 min. or infinite
Silent time 0 sec. - 90 min.
- Alarm:** Field adjustable volume
Remote/Aux speaker out - 8 Ω

Mechanical Specifications

- Dimensions:** 2 gang plate with standard key
4.6"W x 4.6"H x 2.80"D
3 gang plate with rim hardware
6.4"W x 4.6"H x 2.80"D
- Key Switch:** Double bitted
Rim hardware with or without cylinder
- Finish:** Painted - DSI Beige

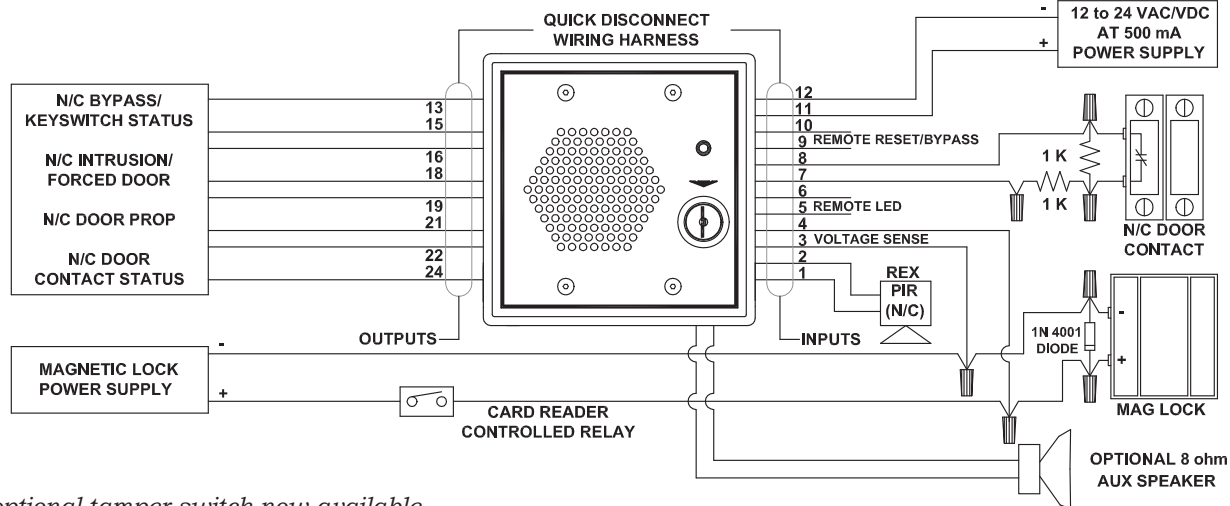
ES411
ES4200
ES4300A
ES440
ES450
ES4600
ES500

Voice Prompt Door Management Alarm



The **ES4600 Voice Prompt Door Management Alarm (DMA)** provides a “Voice Message” warning to alert personnel of possible “Door Held” or “Forced Door” security violations. Three adjustable time delay periods allow the alarm to be tailored for any access control application. The first period (known as silent time); adjustable from 0 sec. to 90 min., sets the time for normal access. If the monitored door is used and closed within this time, no warning is issued. However, if the door is held open beyond this period, a pre-warning message; adjustable from 0 sec. to 5 min., such as “Please close the door” is repeated according to the time setting mentioned above. Closing the door during the pre-warning message will silence that message and reset the unit. Holding the door beyond the pre-warning time will start an alarm message such as “Security violation - close the door” along with activating a “Door Held” form C relay output for remote monitoring of the activity. The third adjustment is “Auto Reset” of the alarm after the door closes; adjustable from 0 sec. to 5 min. or manual. This unit has all of the same features as the ES4200 and can also detect and annunciate “Forced Door” conditions with an alarm message and separate relay output of monitoring.

Wiring Diagram



** optional tamper switch now available.