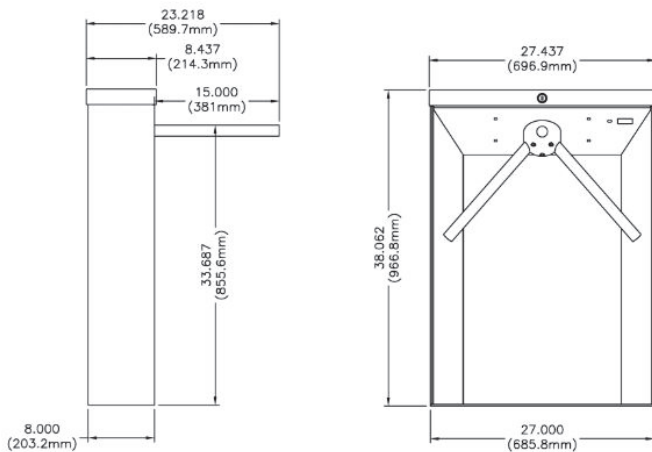


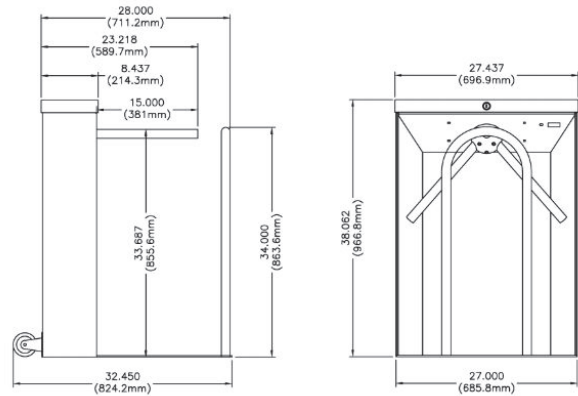
DS500 Series



DS500 Series
DS500-P Series - Portable



Standard Unit



Portable Unit

Measures:

- Height: 38.062" (966.8mm)
- Width (standard): 27.437" (696.9mm)
- Depth: 8.625" (225mm)
- Arm length: 15" (381mm)

** Dimensions are subject to change without notice*

Measures:

- Height: 38.062" (966.8mm)
- Width (standard): 32.450" (824.2mm)
- Depth: 8.437" (214.3mm)
- Arm length: 15" (381mm)

Options:

- Bidirectional key overrides
- Daylight visible indicator lights
- 8 digit key resettable LCD counter with seven year lithium battery
- Coin/token acceptor
- Bill acceptor
- Ticket drop box
- Additional options available on request

Product Features:

Cabinets are finished in:

- Our signature 304 stainless steel/
No. 4 satin finish

Design & Construction:

- Designed for secure operation with aesthetics in mind
- Cabinet inner and outer shells are constructed of (14 gauge) 304 stainless steel/No. 4 satin finish
- Arms constructed of 1-5/16" (33mm) diameter (12 gauge) stainless
- Hub 4-1/2" (114mm) o.d. also made from stainless
- Minimal exposed hardware

Electrical Specifications:

Input voltage: 100-240 VAC

Input current: 1.3 - .55 A

Frequency: 50/60 Hz

Storage Temperature: -40 to 158°F

Operating Temperature: -4 to 131°F
(cold weather package available)

Operating voltage: 24VDC

Operating current: 1.2 A (typical)

Standards and Codes:

Austenitic stainless steel:

ASTM A240, A249, A276

Hot rolled steel:

AISI C-1020, AISI C-1018

Hot dipped galvanizing:

ASTM A-143, ASTM A-153-80

Stainless steel fasteners:

ASTM A-320

American Welding Society (AWS)

Standard D 1.1

Matching ADA Gate available

DS500-ADA with optional motorization is available for the DS500 series.

Warranty:

Units are warranted against defects in materials and workmanship for a period of one year from date of invoice.