

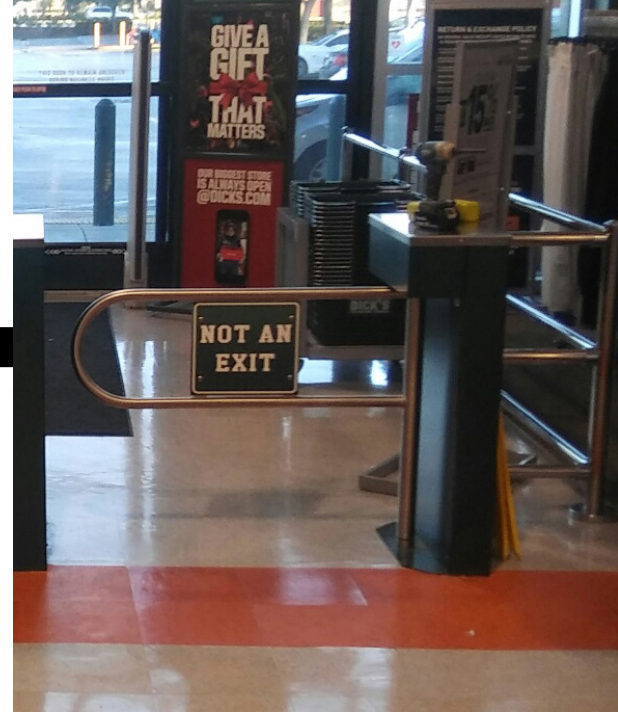
# Waist High ADA Gate

## DS5000-ADA Swing gate

Interior & Exterior Application

The DS5000 Series units operate reliably with high traffic volumes where cost is an important consideration.

Heavy 7-gauge carbon steel cabinets can be interfaced with optional LCD counters, card readers, push button and wireless remotes. This product is the ADA compliant sister unit to our DS5500 tripod turnstiles.



### FEATURES AND BENEFITS

- Designed for secure and reliable operation with aesthetics in mind
- Heavy gauge carbon steel cabinet with stainless top, arms and hub
- Easy installation
- Arm lengths up to 40"
- Will interface with counters, access control, push buttons and remote controls
- Minimal exposed hardware
- Can be configured as a portable unit

#### Standard powder coating color selections:

*Additional colors available and can be quoted upon request.*

							
60% Gloss Black	60% Gloss White	RAL 1013 Oyster White	RAL 9007 Grey Aluminum	RAL 5023 Distant Blue	RAL 5010 Gentian Blue	RAL 6002 Leaf Green	RAL 8028 Terra Brown

DS5000-ADA Swing Gate

**DSI**<sup>®</sup>  
DESIGNED SECURITY, INC.  
*Building Security*

1402 Hawthorne St.  
Bastrop, Texas 78602  
Voice: 1-800-272-3555  
Fax: 1-512-321-9181  
E-mail: [dsi@dsigo.com](mailto:dsi@dsigo.com)  
[www.dsigo.com](http://www.dsigo.com)

## Applications:

This versatile line of turnstiles is made for years of reliable service (and offers many options) where cost is an important consideration.

## Product Features:

### Materials and Finishes available in your choice of:

- Lid: 304 stainless steel /No. 4 satin finish
- Cabinet: Your choice of designer powder coat colors to match any décor. Black is standard.

## Design & Construction:

- Designed for secure and reliable operation with aesthetics in mind
- Cabinet upper and lower shells are constructed with rigid (7 gauge) carbon steel
- Cover is constructed with (16 gauge) 304 stainless steel, No. 4 satin finish
- Arm assembly constructed with 1 5/16" (33.4mm) diameter, (12 gauge) stainless steel
- Hub 4 1/2" (114.3mm) o.d. also made from stainless steel
- Minimal exposed hardware

## Measures:

- Height: 37" (939.8mm)
- Width: 44.750" (1136.6mm)
- Depth: 20.125" (511.2mm)
- Arm Length: 34.437" (874.7mm)

## Operation:

### Control Head, featuring:

- Auto-indexing (self-centering) with adjustable hydraulic shock suppression
- Hardened tool steel locking bars, cam and roller assemblies
- Permanently lubricated bearings
- Your choice of manual or electronic control on both directions
- Nearly universal integration to any number of access control systems
- Your choice on each electronic direction of locking or unlocking on power failure

### Options:

- Bidirectional key overrides
- Daylight visible indicator lights
- 8 digit key resettable LCD counter with seven year lithium battery
- Variable arm lengths (up to 40")
- Signage brackets
- Straight arm (instead of U-arm)
- Additional options available on request

## Electrical Specifications:

Input voltage: 100-240 VAC  
 Input current: 1.3 - .55 A  
 Frequency: 50/60 Hz

Storage Temperature: -40 to 158°F  
 Operating Temperature: -4 to 131°F  
 (cold weather package available)

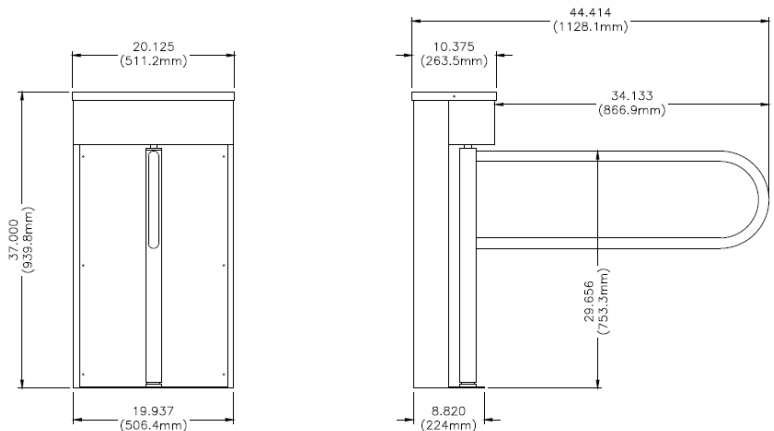
Operating voltage: 24VDC  
 Operating current: 1.2 A (typical)

## Standards and Codes:

Austenitic stainless steel:  
 ASTM A240, A249, A276  
 Hot rolled steel:  
 AISI C-1020, AISI C-1018  
 Hot dipped galvanizing:  
 ASTM A-143, ASTM A-153-80  
 Stainless steel fasteners:  
 ASTM A-320  
 American Welding Society (AWS)  
 Standard D 1.1

## Warranty:

Units are warranted against defects in materials and workmanship for a period of one year from date of invoice.



\* Dimensions are approximate