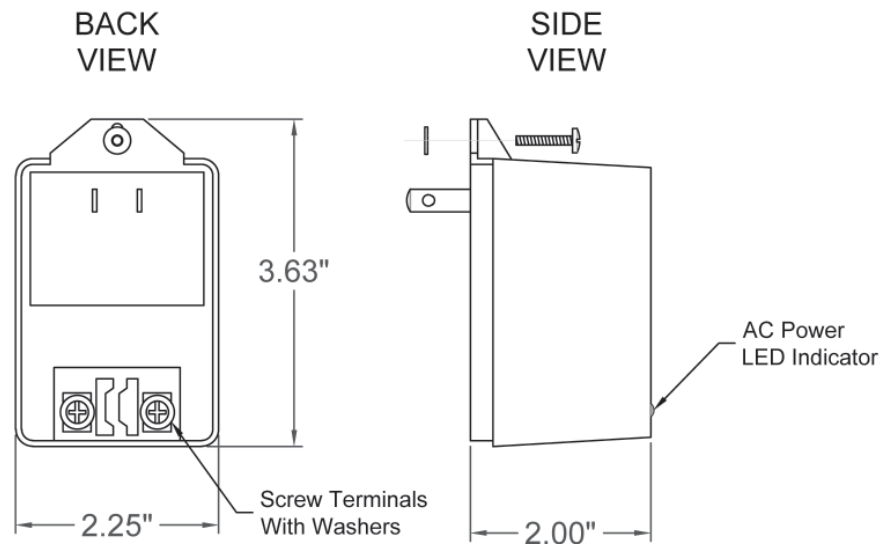


Plug-in Transformer Features - LED and Basic Surge Protection**Description**

Plug-in Class II Transformer with LED Power indicator, built in cable strain relief, and has basic surge protection. The housing is bright white plastic, and comes with a mounting tab and screw.

Specifications

UL Listed
 Primary: 120VAC 60Hz
 Secondary: 16.5VAC 20VA
 Primary Termination: 2 Male Blades
 Secondary Termination: 2 #6-32 Screw Terminals w/washers
 Dimensions: W:2.25" (57mm) x 2.0" (50mm) D x H 3.63" (92mm)
 Weight: 1LB
 Color: White

Surge Protection

Single mode (hot to neutral),
 Clamping Voltage 340V,
 Max. Spike 4500 Amps,
 Energy Dissipation 60 Joules
 Max. Spike Voltage 6000 Volts
 Clamping Response Time 15 ns (Nanoseconds)

For Use With

ES4200, ES4300, ES4600, ES411