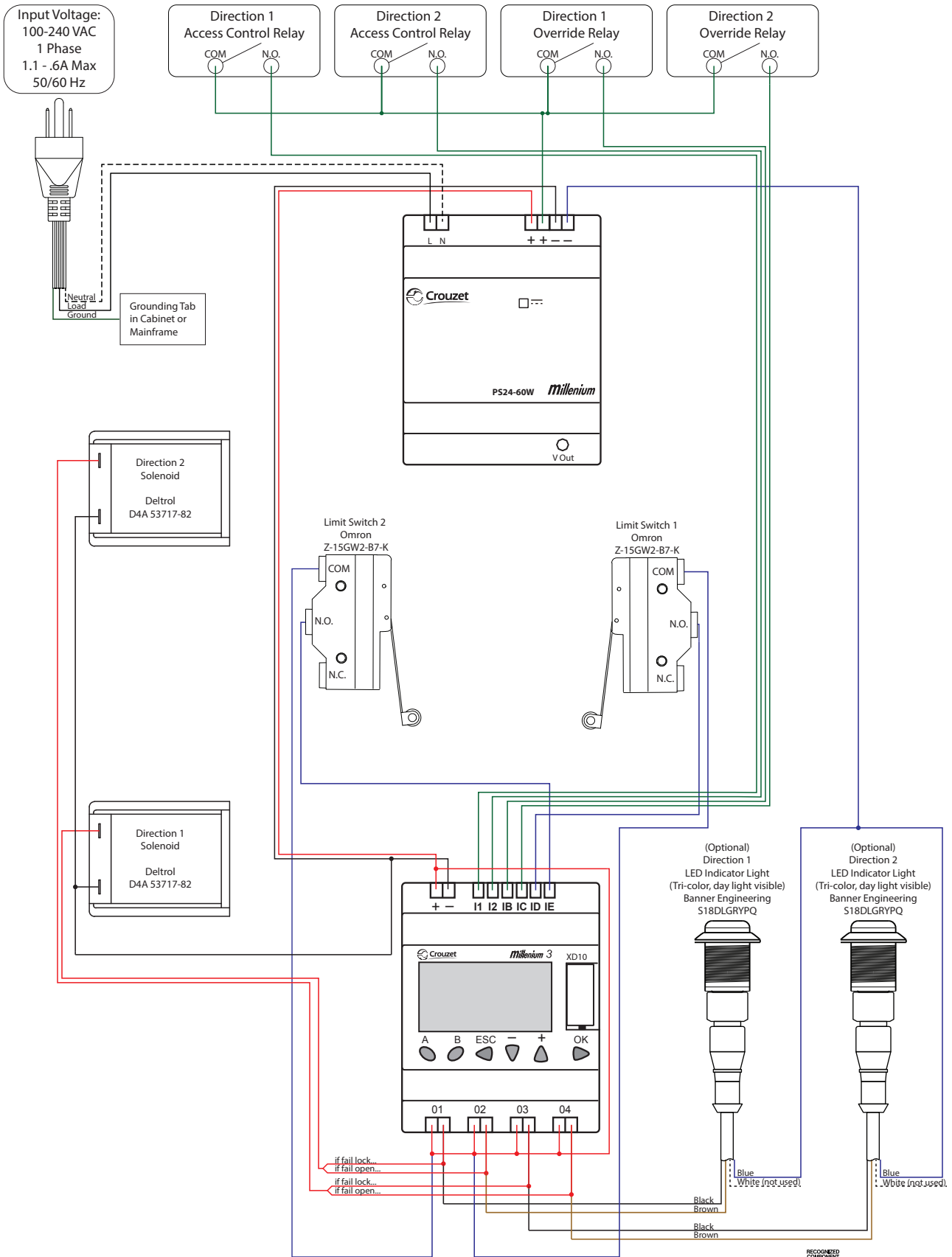


6500 Series Control Head w/ XD10 Controller Standard Wiring Diagram



ETL
Intertek 4008027

The 6500 Series Control Head is certified to conform to the following standards:
UL 294, UL 325, UL Subject 2593,
CAN/ULC S319 & CSA C22.2 #247