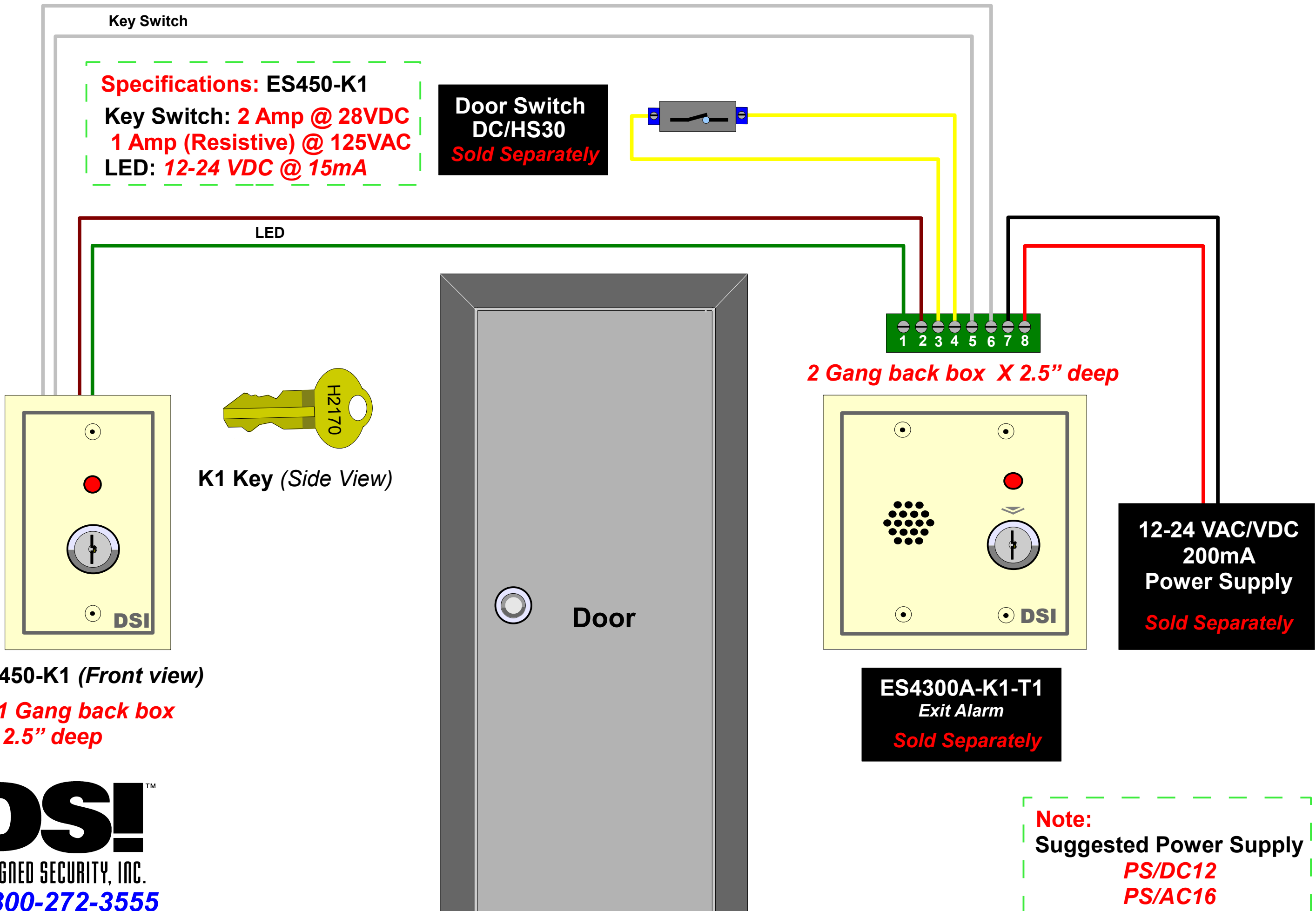


# ES450-K1

*(Key Switch Control)*

**Note:** Wire Gauge:  
 22 AWG = Signal wires  
 22 AWG = Power wires  
 (Power runs over 50 feet use 18 AWG)



**Specifications: ES450-K1**  
 Key Switch: 2 Amp @ 28VDC  
 1 Amp (Resistive) @ 125VAC  
 LED: 12-24 VDC @ 15mA

**Door Switch  
 DC/HS30  
 Sold Separately**

**12-24 VAC/VDC  
 200mA  
 Power Supply  
 Sold Separately**

**ES4300A-K1-T1  
 Exit Alarm  
 Sold Separately**

**Note:** Suggested Power Supply  
 PS/DC12  
 PS/AC16

ES450-K1 (Front view)  
 1 Gang back box  
 2.5" deep