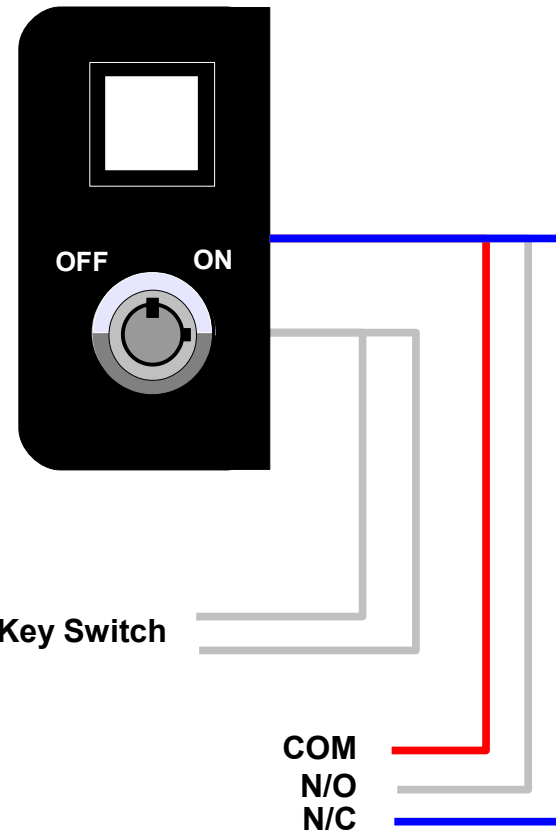


# ES760

*(Knee Space)*

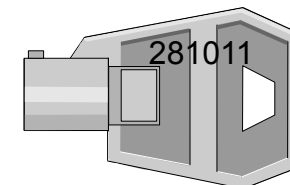
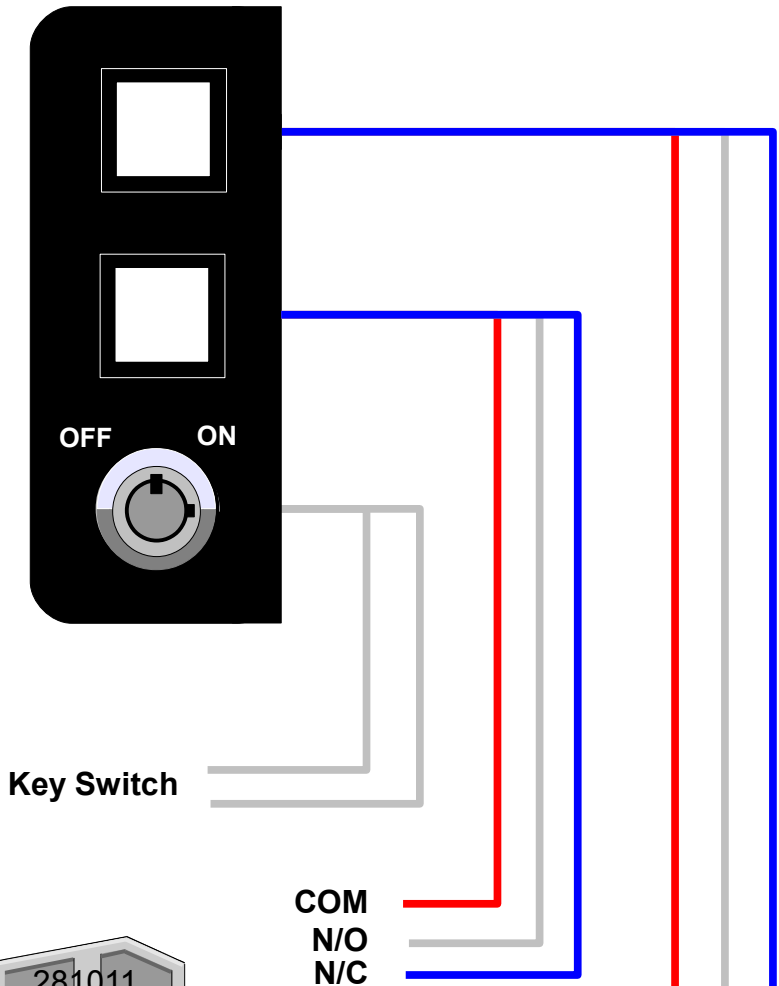
ES760-Q01/P01-Q01/P02

*Knee Space Unit*

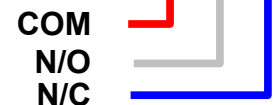


ES761-Q02/P01-Q01/P02

*Knee Space Unit*



K2 Key (Side View)



**Specifications: ES760**

**Key Switch: 2 Amp @ 28VDC  
1 Amp (Resistive) @ 125VAC**

**Push Button: 2 Amp @ 28VDC  
1 Amp (Resistive) @ 125VAC**

**Note:**

**Wire Gauge:**

**22 AWG = Signal wires**

**22 AWG = Power wires**

**(Power runs over 50 feet use 18 AWG)**