

ES5200 CONTROL BOARD

Receiver "Left Unit"

MAG Lock
Relay

Alarm
Relay

Door
Relay

A Passage Complete
Relay

B Passage Complete
Relay

Calibrate LED
• Flashing *Not Calibrated*
• Off *Calibrating*
• On *Calibrated*

Remote Annunciator
Input

A Test Button
• Press to test exit input

B Test Button
• Press to test entry input

A Input
Ground

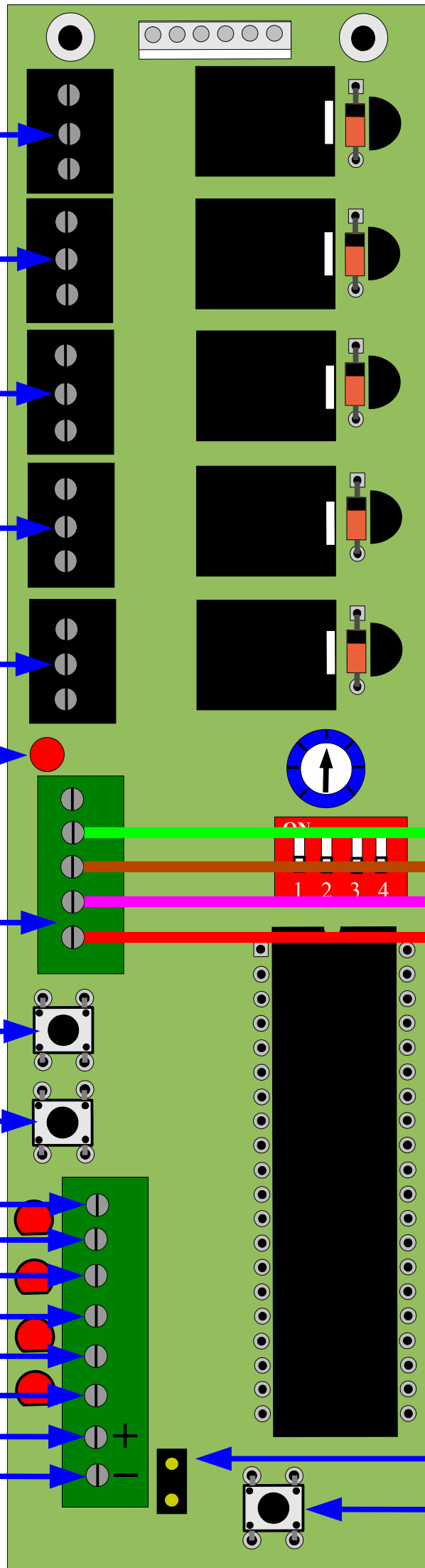
B Input

Bypass Input

Ground

Door Input

Power
12-24"VDC"



Each Remote Annunciator will provide visual and audible notification to users on the opposite side of the door the ES5200 Entry Sentry is mounted upon.

Note:

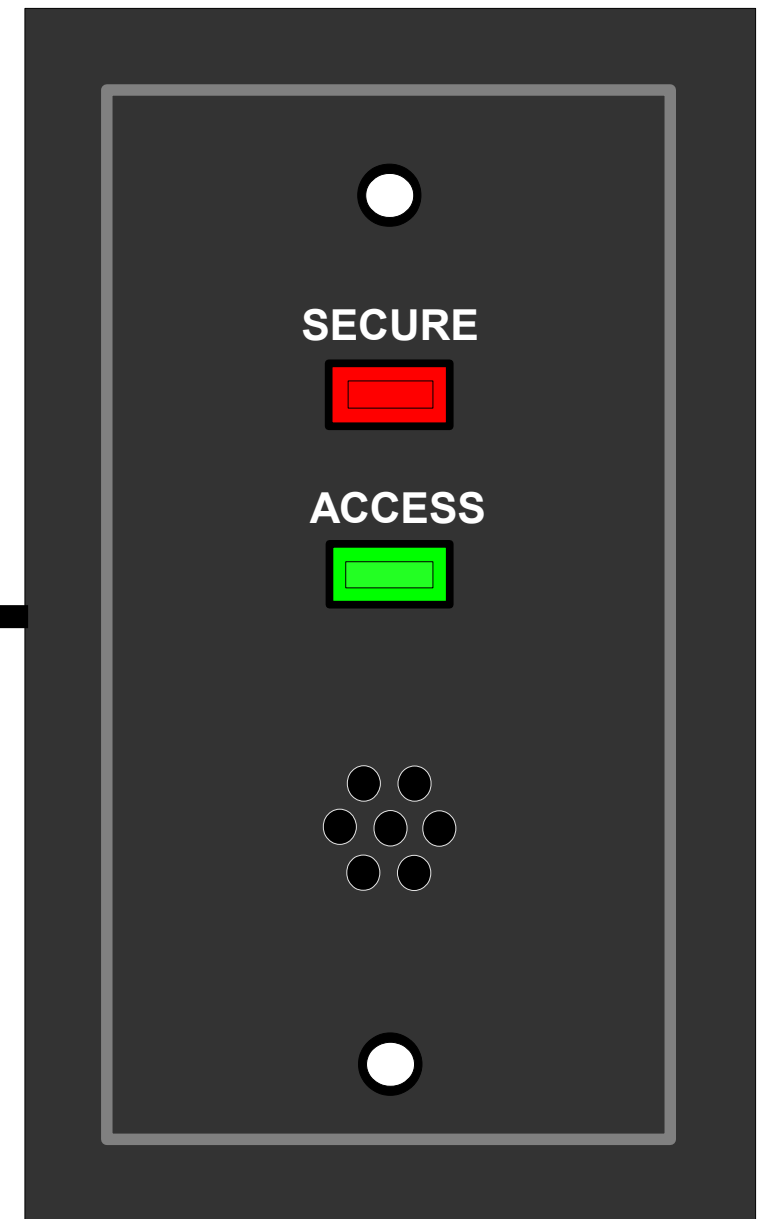
Wire Gauge:
22 AWG = Signal wires

*1 Gang back box
1.5" deep*

Mounting:

- *Install on the Opposite side of the door*
- *Power is provided by the ES5200*

R1 REMOTE ANNUNCIATOR



DSI!
DESIGNED SECURITY, INC.
1-800-272-3555

Tamper Enable
• *Remove jumper*
Calibrate Button
• *Press to calibrate*